

DRAIN FITTINGS



METU[®]
STREIMER
for better ductwork

DRAIN FITTINGS

Contents:

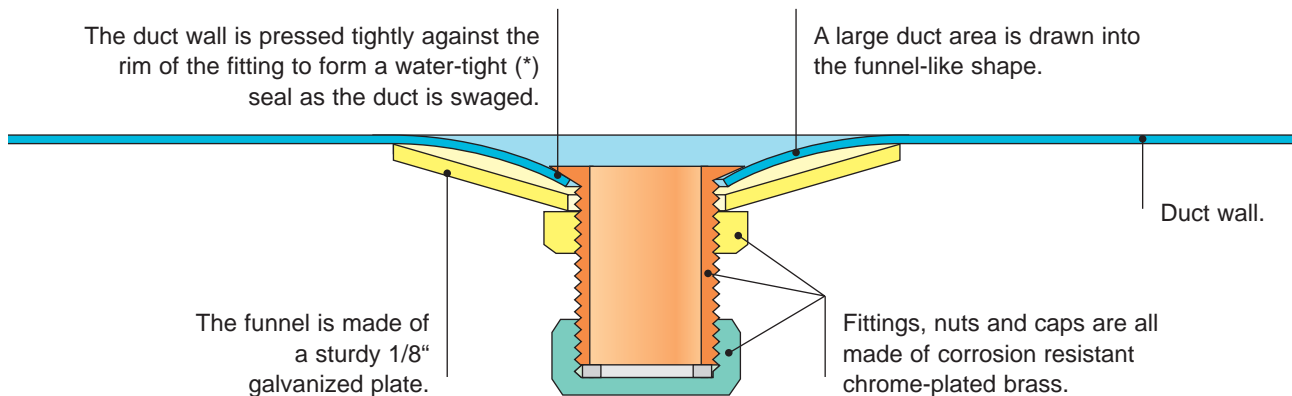
- ST-G Drain Fittings with Wide Funnel Page 1
- ST-K Drain Fittings with Narrow Funnel Page 2
- ST-R Drain Fittings for Round Ducts Page 3

ST DRAIN FITTINGS

TYPE ST-G: DRAIN FITTINGS WITH WIDE FUNNEL



- Special fittings to drain condensation from rectangular ductwork or other equipment.
- The duct wall is swaged to form a funnel-like drainage basin.
- A water-tight seal is created at the thread connection.
- Easy installation (just drill a hole and screw in the drain fitting).
- All parts are protected against corrosion.



(*) Normally no sealant is required. Only when the surface of the duct is damaged or rough, mastic should be applied around the rim.

INSTALLATION

1. Drill a hole in the duct wall.
2. Insert the fitting into the hole, slide on the funnel plate and tighten the nut until the duct wall is drawn into the funnel.
3. The cap is only necessary if no connection to a drain pipe is foreseen.

ORDER RANGE

ST-G Drain Fitting with Wide Funnel		
Catalog No.	Description	Material
ST-G 1/2"	1/2" Drain with Wide Funnel	Galv. steel / chrome-plated brass
ST-G 3/4"	3/4" Drain with Wide Funnel	Galv. steel / chrome-plated brass
ST-G 1"	1" Drain with Wide Funnel	Galv. steel / chrome-plated brass
ST-G 1 1/2"	1 1/2" Drain with Wide Funnel	Galv. steel / chrome-plated brass

Drain Fitting Caps (suitable for all drain fittings)		
Catalog No.	Description	Material
STCAP- 1/2"	Drain Fitting Cap	Chrome-plated brass
STCAP - 3/4"	Drain Fitting Cap	Chrome-plated brass
STCAP - 1"	Drain Fitting Cap	Chrome-plated brass
STCAP - 1 1/2"	Drain Fitting Cap	Chrome-plated brass

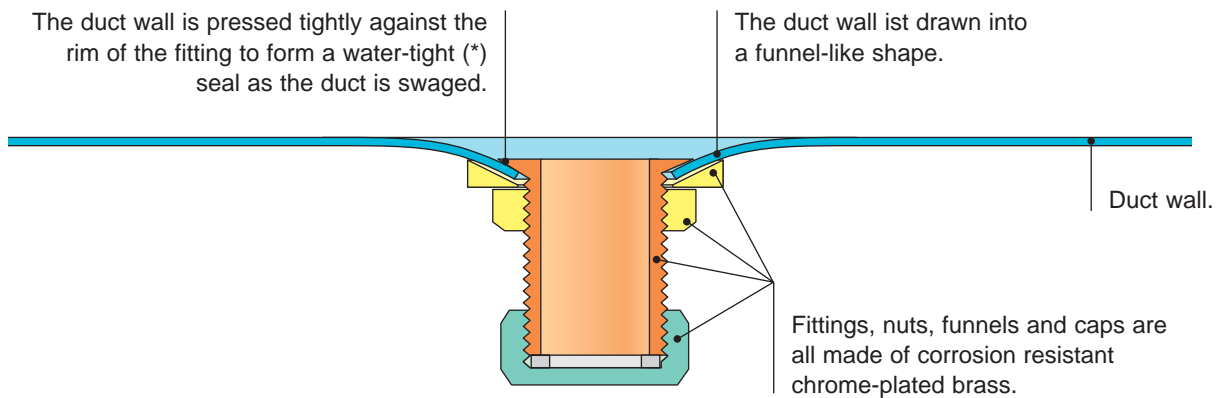
Bold = In stock

ST DRAIN FITTINGS

TYPE ST-K: DRAIN FITTINGS WITH NARROW FUNNEL



- Special fittings to drain condensation from rectangular ductwork or other equipment.
- The duct wall is swaged to form a funnel-like drainage basin.
- A water-tight seal is created at the thread connection.
- Easy installation (just drill a hole and screw in the drain fitting).
- All parts are protected against corrosion.



(*) Normally no sealant is required. Only when the surface of the duct is damaged or rough, mastic should be applied around the rim.

INSTALLATION

1. Drill a hole in the duct wall.
2. Insert the fitting into the hole, slide on the funnel plate and tighten the nut until the duct wall is drawn into the funnel.
3. The cap is only necessary if no connection to a drain pipe is foreseen.

ORDER RANGE

ST-K Drain Fittings with Narrow Funnel		
Catalog No.	Description	Material
ST-K 1/2"	1/2" Drain	Chrome-plated brass
ST-K 3/4"	3/4" Drain	Chrome-plated brass
ST-K 1"	1" Drain	Chrome-plated brass
ST-K 1 1/2"	1 1/2" Drain	Chrome-plated brass

Drain Fitting Caps (suitable for all drain fittings)		
Catalog No.	Description	Material
STCAP-1/2"	Drain Fitting Cap	Chrome-plated brass
STCAP-3/4"	Drain Fitting Cap	Chrome-plated brass
STCAP-1"	Drain Fitting Cap	Chrome-plated brass
STCAP-1 1/2"	Drain Fitting Cap	Chrome-plated brass

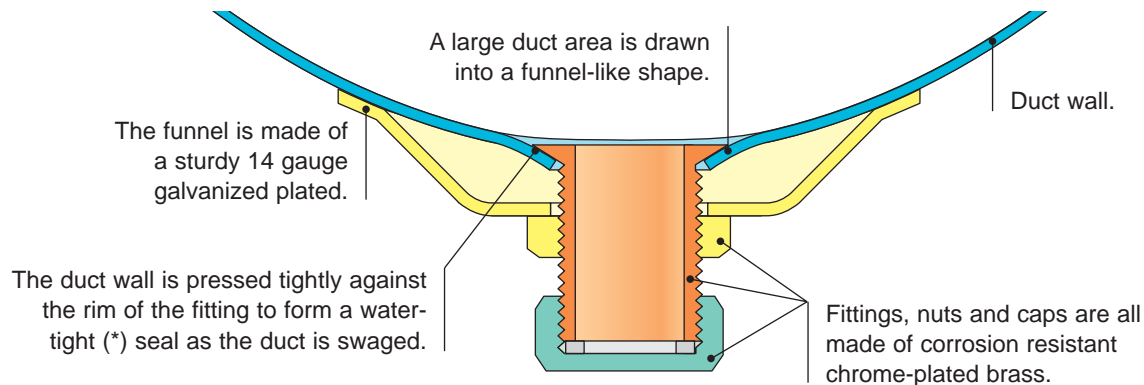
Bold = In stock

ST DRAIN FITTINGS

TYPE ST-R: DRAIN FITTINGS FOR ROUND DUCTS



- Special fittings to drain condensation from round ductwork or other curved surfaces.
- The duct wall is swaged to form a funnel-like drainage basin.
- A water-tight seal is created at the thread connection.
- Easy installation (just drill a hole and screw in the drain fitting).
- All parts are protected against corrosion.



(*) Normally no sealant is required. Only when the surface of the duct is damaged or rough, mastic should be applied around the rim.

INSTALLATION

1. Drill a hole in the duct wall.
2. Insert the fitting into the hole, slide on the funnel plate and tighten the nut until the duct wall is drawn into the funnel.
3. The cap is only necessary if no connection to a drain pipe is foreseen.

ORDER RANGE

Please refer to next page

ST DRAIN FITTINGS

TYPE ST-R: DRAIN FITTINGS FOR ROUND DUCTS

ORDER RANGE

ST-R Drain Fittings for Round Ducts				
Catalog No.	Description		for duct-Ø	Material
ST-R ½" - 8	Drain Fitting with Galvanized Saddle		8-inch	galv. steel / chrome-plated brass
ST-R ¾" - 8	Drain Fitting with Galvanized Saddle		8-inch	galv. steel / chrome-plated brass
ST-R 1" - 8	Drain Fitting with Galvanized Saddle		8-inch	galv. steel / chrome-plated brass
ST-R ½" - 10	Drain Fitting with Galvanized Saddle		10-inch	galv. steel / chrome-plated brass
ST-R ¾" - 10	Drain Fitting with Galvanized Saddle		10-inch	galv. steel / chrome-plated brass
ST-R 1" - 10	Drain Fitting with Galvanized Saddle		10-inch	galv. steel / chrome-plated brass
ST-R ½" - 12	Drain Fitting with Galvanized Saddle		12-inch	galv. steel / chrome-plated brass
ST-R ¾" - 12	Drain Fitting with Galvanized Saddle		12-inch	galv. steel / chrome-plated brass
ST-R 1" - 12	Drain Fitting with Galvanized Saddle		12-inch	galv. steel / chrome-plated brass
ST-R ½" - 14-16	Drain Fitting with Galvanized Saddle		14-16 inch	galv. steel / chrome-plated brass
ST-R ¾" - 14-16	Drain Fitting with Galvanized Saddle		14-16 inch	galv. steel / chrome-plated brass
ST-R 1" - 14-16	Drain Fitting with Galvanized Saddle		14-16 inch	galv. steel / chrome-plated brass
ST-R ½" - 18-20	Drain Fitting with Galvanized Saddle		18-20 inch	galv. steel / chrome-plated brass
ST-R ¾" - 18-20	Drain Fitting with Galvanized Saddle		18-20 inch	galv. steel / chrome-plated brass
ST-R 1" - 18-20	Drain Fitting with Galvanized Saddle		18-20 inch	galv. steel / chrome-plated brass
ST-R ½" - 22-24	Drain Fitting with Galvanized Saddle		22-24 inch	galv. steel / chrome-plated brass
ST-R ¾" - 22-24	Drain Fitting with Galvanized Saddle		22-24 inch	galv. steel / chrome-plated brass
ST-R 1" - 22-24	Drain Fitting with Galvanized Saddle		22-24 inch	galv. steel / chrome-plated brass
ST-R ½" - 26-30	Drain Fitting with Galvanized Saddle		26-30 inch	galv. steel / chrome-plated brass
ST-R ¾" - 26-30	Drain Fitting with Galvanized Saddle		26-30 inch	galv. steel / chrome-plated brass
ST-R 1" - 26-30	Drain Fitting with Galvanized Saddle		26-30 inch	galv. steel / chrome-plated brass
ST-R ½" - 32-40	Drain Fitting with Galvanized Saddle		32-40 inch	galv. steel / chrome-plated brass
ST-R ¾" - 32-40	Drain Fitting with Galvanized Saddle		32-40 inch	galv. steel / chrome-plated brass
ST-R 1" - 32-40	Drain Fitting with Galvanized Saddle		32-40 inch	galv. steel / chrome-plated brass
Drain Fitting Caps (suitable for all drain fittings)				
Catalog No.	Description		for duct-Ø	Material
STCAP-½"	Drain Fitting Cap		8-40 inch	chrome-plated brass
STCAP-¾"	Drain Fitting Cap		8-40 inch	chrome-plated brass
STCAP-1"	Drain Fitting Cap		8-40 inch	chrome-plated brass
STCAP-1½"	Drain Fitting Cap		8-40 inch	chrome-plated brass

NOTE: For duct-Ø larger than 40-inch, the drain fittings for flat duct walls ST-K and ST-G can be used.

Bold = In stock

METU[®]
STREIMER
for better ductwork

Exclusively manufactured and distributed in the United States through;

METU-STREIMER[®]

740 North Knott Street • Portland, Oregon 97227-2099

Phone: 503-943-6043 • Fax: 503-288-3327

Email: info@metu-streimer.com

www.metu-streimer.com